

330301-3 ✓ ACTIVE

SOLISTRAND

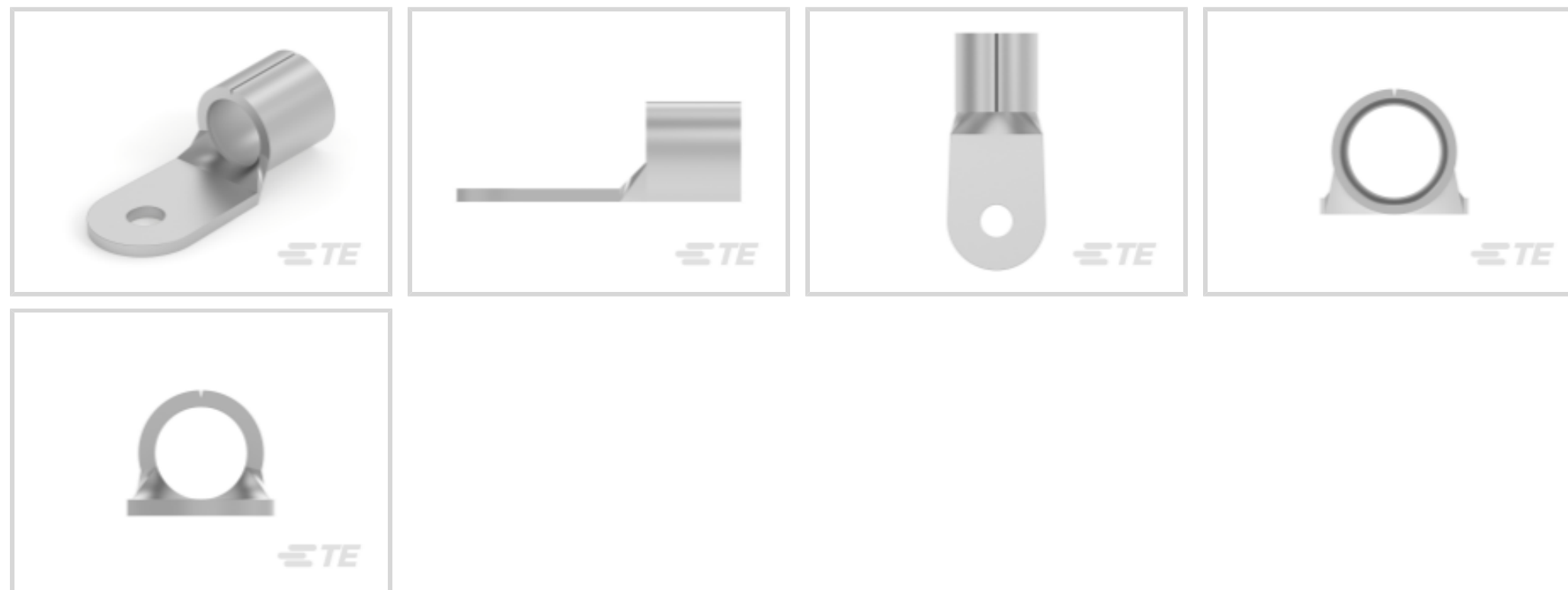
TE Internal #: 330301-3

Ring Terminals & Spade Terminals, Ring Tongue, 2 AWG Wire Size,  
33.6 mm<sup>2</sup> Wire Size, 52600 – 83700 CMA Wire Size, Stud Size M5

[View on TE.com >](#)



Terminals & Splices > Ring Terminals & Spade Terminals



Ring & Spade Terminal Type: **Ring Tongue**

Wire Size: **52600 – 83700 CMA**

Stud Size: **M5**

### Features

#### Product Type Features

|  |                        |
|--|------------------------|
| Shape Description                      | RING-049               |
| Stud Size                              | M5                     |
| Sealable                               | No                     |
| Wire Insulation Support Retention Type | Non-Insulation Support |

#### Configuration Features

|                 |       |
|-----------------|-------|
| Number of Holes | 1     |
| Terminal Angle  | 180 ° |

#### Contact Features

|                            |             |
|----------------------------|-------------|
| Ring & Spade Terminal Type | Ring Tongue |
| Barrel Type                | Closed      |
| Terminal Orientation       | Straight    |
| Terminal Plating Material  | Tin         |

#### Mechanical Attachment

|                         |         |
|-------------------------|---------|
| Wire Insulation Support | Without |
|-------------------------|---------|

#### Dimensions

|           |                   |
|-----------|-------------------|
| Wire Size | 52600 – 83700 CMA |
|-----------|-------------------|



|                        |                    |
|------------------------|--------------------|
| Stud Diameter          | 5.2 mm[.204 in]    |
| Tongue Thickness       | .79 mm[.031 in]    |
| Overall Product Length | 38.79 mm[1.527 in] |
| Barrel Inside Diameter | 9.4 mm[.37 in]     |

### Usage Conditions

|                             |                |
|-----------------------------|----------------|
| Insulation Option           | Uninsulated    |
| Operating Temperature Range | 170 °C[338 °F] |

### Operation/Application

|                                       |        |
|---------------------------------------|--------|
| Compatible With Wire Base Material    | Copper |
| Compatible With Wire Plating Material | Tin    |
| Heavy Duty                            | No     |

### Industry Standards

|                      |    |
|----------------------|----|
| Government Qualified | No |
|----------------------|----|

### Packaging Features

|                    |              |
|--------------------|--------------|
| Packaging Quantity | 50           |
| Packaging Method   | Box & Carton |

## Product Compliance

[For compliance documentation, visit the product page on TE.com>](#)

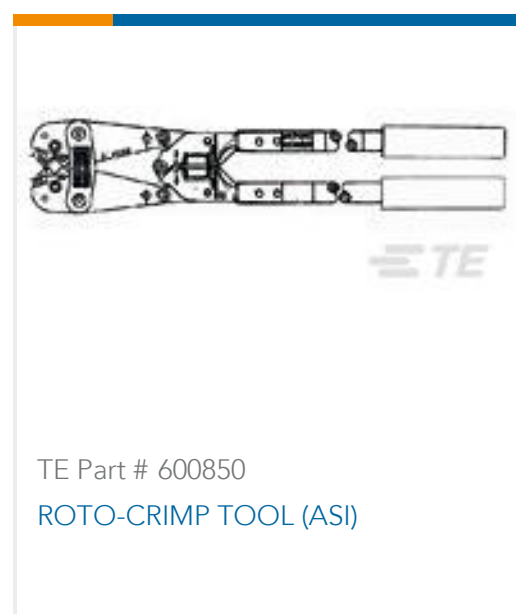
|   |  |
|---|--|
| EU RoHS Directive 2011/65/EU                  | Compliant  |
| EU ELV Directive 2000/53/EC                   | Compliant  |
| China RoHS 2 Directive MIIT Order No 32, 2016 | No Restricted Materials Above Threshold  |
| EU REACH Regulation (EC) No. 1907/2006        | Current ECHA Candidate List: JUNE 2022 (224)<br>Candidate List Declared Against: JAN 2017 (173)<br>SVHC > Threshold:<br>Not Yet Reviewed |
| Halogen Content                               | Low Halogen - Br, Cl, F, I < 900 ppm per homogenous material. Also BFR/CFR/PVC Free  |
| Solder Process Capability                     | Not reviewed for solder process capability   |

#### Product Compliance Disclaimer

This information is provided based on reasonable inquiry of our suppliers and represents our current actual knowledge based on the information they provided. This information is subject to change. The part numbers that TE has identified as

EU RoHS compliant have a maximum concentration of 0.1% by weight in homogenous materials for lead, hexavalent chromium, mercury, PBB, PBDE, DBP, BBP, DEHP, DIBP, and 0.01% for cadmium, or qualify for an exemption to these limits as defined in the Annexes of Directive 2011/65/EU (RoHS2). Finished electrical and electronic equipment products will be CE marked as required by Directive 2011/65/EU. Components may not be CE marked. Additionally, the part numbers that TE has identified as EU ELV compliant have a maximum concentration of 0.1% by weight in homogenous materials for lead, hexavalent chromium, and mercury, and 0.01% for cadmium, or qualify for an exemption to these limits as defined in the Annexes of Directive 2000/53/EC (ELV). Regarding the REACH Regulations, TE's information on SVHC in articles for this part number is still based on the European Chemical Agency (ECHA) 'Guidance on requirements for substances in articles' (Version: 2, April 2011), applying the 0.1% weight on weight concentration threshold at the finished product level. TE is aware of the European Court of Justice ruling of September 10th, 2015 also known as O5A (Once An Article Always An Article) stating that, in case of 'complex object', the threshold for a SVHC must be applied to both the product as a whole and simultaneously to each of the articles forming part of its composition. TE has evaluated this ruling based on the new ECHA "Guidance on requirements for substances in articles" (June 2017, version 4.0) and will be updating its statements accordingly.

## Compatible Parts



## Documents

### Product Drawings

TERMINAL, SOLIS, R, 2, M5

English

### CAD Files

3D PDF

3D

Customer View Model

[ENG\\_CVM\\_CVM\\_330301-3\\_W.2d\\_dxf.zip](#)

English

Customer View Model

[ENG\\_CVM\\_CVM\\_330301-3\\_W.3d\\_igs.zip](#)

English

Customer View Model



[ENG\\_CVM\\_CVM\\_330301-3\\_W.3d\\_stp.zip](#)

English

By downloading the CAD file I accept and agree to the [Terms and Conditions](#) of use.

[Datasheets & Catalog Pages](#)

[SOLISTRAND - QRG](#)

English